

STRUCTURE FOR RECESSED INSTALLATION

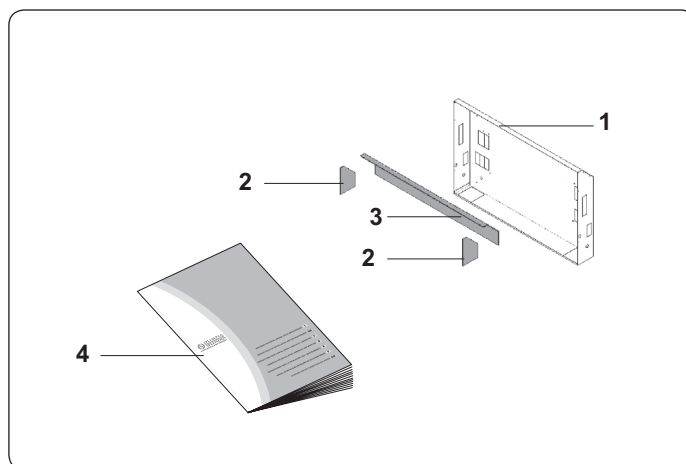
This instruction is an integral part of the instruction manual of the appliance on which the kit is installed
See general warnings and fundamental safety rules of the instruction manual of the appliance.

The built-in structure in combination with the front panel, allows the installation of concealed fan coil Bi2 SLI built-in two pipes version

KIT CONTENTS

Ref.	Description	Q.ty
1	built-in structure	1
2	side upper insulation	2
3	Upper insulation	1
4	Installation instruction	1

The kit is packaged in a cardboard box with an identification label of the product code and product bar code



INSTALLATION

Model	Code	L mm	P mm
SLI 200	B0568	740	142
SLI 400	B0569	940	142
SLI 600	B0570	1140	142
SLI 800	B0571	1340	142
SLI 1000	B0572	1540	142
SLI 1400 /1600	B0894	1540	210

- Prepare a hole in the wall of 730mm height, depth P and length L (see table) minimum
- Apply the three insulating supplied to the upper inner part of the metal structure
- Fix adequately the metal frame to the wall

